



**TUBES**

- Vertical, rectangular (45 x 20 mm).
- Centre between the tubes is 40 mm.

**COLLECTORS**

Horizontal, rear, round (Ø 35 mm).

**VALVE SET (in option)**

THERMIC designer valve set (1MM8) 2 x 1/2" inner thread including luxury thermostatic head.

**CONNECTION**

- Stock radiators are standard delivered with universal connection 1MM8 (4 connections), see also page 152 - 156.
- MM, 18, 81, see also page 152 - 156.

Supply is standard on the right and return on the left. Reversion of supply and return is possible, see page 140.

**LUXURY ACCESSORIES**

Type ZV-R is available with several luxury accessories, see also page 134 - 135: towel rail, towel ring and robe hook.

**SPECIAL**

The vertical tubes are bent slightly (10°).

**COLOURS**

- Standard colour is RAL 9016 (Traffic white).
- Other available colours, see page 158 - 159.
- Measurements up to 2000 mm high are available in the colour M350 (stainless steel look). ATTENTION: M350: loss of heat output up to 24%!



thermic  
DESIGNER RADIATORS

thermic  
DESIGNER RADIATORS

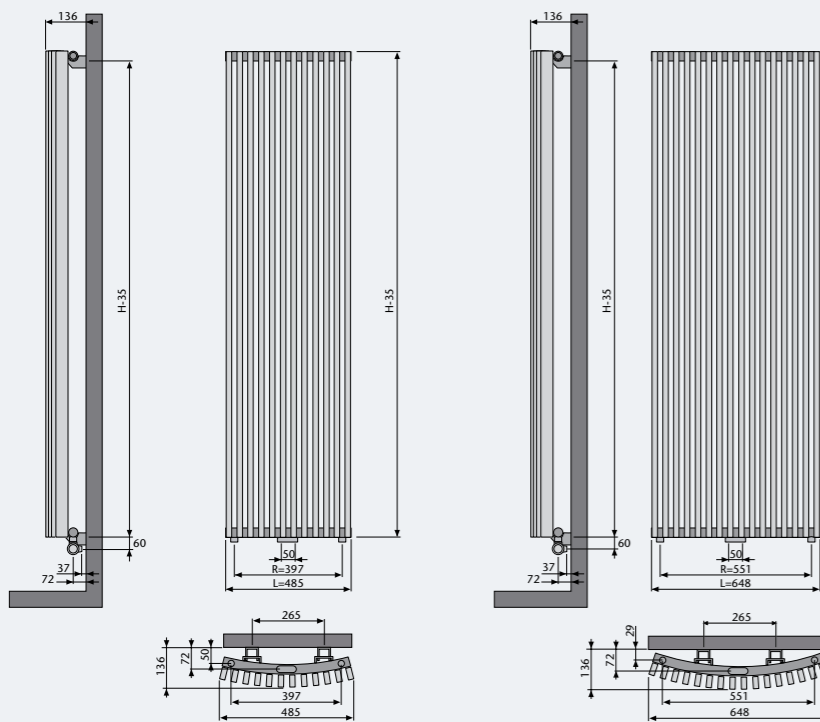
Reference nr. Connection Tubes 0000 Height Colour See page 4,5 and 6.

ZV-R

CE<sub>05</sub> in conformity with EN 442-1: radiators and convectors

Ref. nr. white	Ref. nr. colour	Tubes	Width L mm	Height H mm	Heat outputs 75/65/20°C Watt	Heat outputs 90/70/20°C Watt	n-exp.	Weight kg.	Water content l.	RAL 9016 €	Other colours €	M350 €
31789	31780	12	485	1600	1154	1444	1,27	31,08	14,16	465,38	535,19	628,26
31799	31790	16	648	1600	1539	1925	1,27	41,44	18,88	600,62	690,71	810,84
31809	31800	12	485	1800	1289	1615	1,28	34,80	15,96	505,20	580,98	682,02
31819	31810	16	648	1800	1719	2154	1,28	46,40	21,28	653,70	751,76	882,50
31829	31820	12	485	2000	1425	1786	1,28	38,52	17,52	545,01	626,76	735,76
31839	31830	16	648	2000	1900	2381	1,28	51,36	23,36	706,78	812,80	954,15
31849	31840	12	485	2200	1563	1959	1,28	42,12	19,08	584,82	672,54	-
31859	31850	16	648	2200	2085	2612	1,28	56,16	25,44	759,86	873,80	-

Stock radiators  
The colours M300, M301, M302, N502 and N503 are available in 3 weeks.  
ATTENTION: M350 (stainless steel look): loss of heat output up to 24%!



ZV-R 12

ZV-R 16

Price in EURO (excl. VAT)

