



XTEND-TOILET (520 x 450 mm)

PRODUCTION

The XTEND-HORIZONTAL is electrically welded by robots. The standard operating pressure is 10 bar and the maximum operating temperature is 110°C. 1 x 1/2" air vent and 3 x 1/2" plug are delivered as standard.

INTEGRATED VALVE

The XTEND-HORIZONTAL is standard delivered with integrated valve at the RIGHT (2 x 3/4" at 50 mm; departure at the left). A luxury thermostatic head, available in white or chrome, depending on the colour of the radiator, is standard delivered (at the top right):

- white radiator: luxury thermostatic head in white (standard, included in the price).
- coloured radiator: luxury thermostatic head in chrome (standard, included in the price).

More information, see page 139.

CONNECTION

- Standard 6 connections (4 x 1/2" laterally and 2 x 3/4" (integrated valve)).
- 23, 32, 76, 67, 26, 62, 73, 37, integrated valve, see also page 152 - 156.
- 1 x 1/2" air vent and 3 x 1/2" plug are delivered as standard.

LUXURY ACCESSORIES

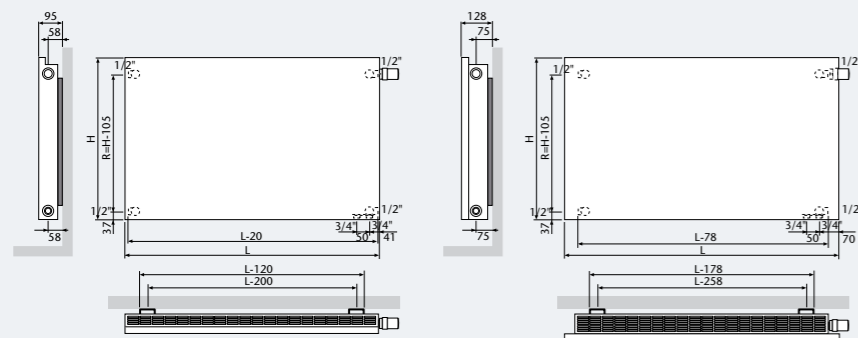
The XTEND-HORIZONTAL is in option available with a towel rail in chrome and mat chrome, see also page 135.

SPECIAL

- 2 wall brackets are standard delivered in the colour RAL 7016 (grey anthracite). Attention: also available in the colour RAL 9016 (Traffic white), see page 136.
- The XTEND-HORIZONTAL is available with 1 (XH1L1, XH2L1) or 2 (XH2L2) rows steel fins at the back of the tubes in order to increase the heat-output.
- XTEND-TOILET (520 x 450 mm), see page 120.

COLOURS

- Standard colour is RAL 9016 (Traffic white).
- Other available colours, see page 158 - 159.
- The XTEND-HORIZONTAL is not available in the colour M350 (stainless steel look).



XH1L1
XH2L1

XH2L2

thermic
DESIGNER RADIATORS

thermic
DESIGNER RADIATORS

Reference nr. Connection: 0098 0000 Width Height Colour See page 4,5 and 6.

XH1L1

CE 06 in conformity with EN 442-1: radiators and convectors

Ref. nr. white	Ref. nr. colour	Type	Width L mm	Height H mm	Heat outputs 75/65/20°C Watt	Heat outputs 90/70/20°C Watt	n-exp.	Weight kg.	Water content l.	RAL 9016 €	Other colours €	M350 €
57409	57400	XH1L1	520	450	301	376	1,26	7,50	1,19	290,10	333,62	-
57419	57410	XH1L1	620	550	425	531	1,26	11,11	1,66	324,53	373,21	-
57459	57450	XH1L1	620	650	490	613	1,27	13,28	1,92	364,30	418,95	-
57429	57420	XH1L1	820	550	562	702	1,26	14,69	2,20	377,53	434,16	-
57469	57460	XH1L1	820	650	649	812	1,27	17,56	2,53	417,28	479,87	-
57439	57430	XH1L1	1020	550	699	873	1,26	18,28	2,73	430,52	495,10	-
57479	57470	XH1L1	1020	650	807	1010	1,27	21,85	3,15	470,26	540,80	-
57499	57490	XH1L1	1020	950	1124	1409	1,28	31,85	4,40	581,93	669,22	-
57449	57440	XH1L1	1220	550	836	1044	1,26	21,86	3,27	483,49	556,01	-
57489	57480	XH1L1	1220	650	965	1207	1,27	26,13	3,77	523,25	601,74	-
57509	57500	XH1L1	1220	950	1344	1684	1,28	38,10	5,26	634,92	730,16	-



See correction factors, page 146.

XH2L1

CE 06 in conformity with EN 442-1: radiators and convectors

Ref. nr. white	Ref. nr. colour	Type	Width L mm	Height H mm	Heat outputs 75/65/20°C Watt	Heat outputs 90/70/20°C Watt	n-exp.	Weight kg.	Water content l.	RAL 9016 €	Other colours €	M350 €
57609	57600	XH2L1	620	550	611	766	1,28	17,25	3,27	423,90	487,49	-
57649	57640	XH2L1	620	650	708	886	1,27	20,70	3,83	496,77	571,29	-
57619	57610	XH2L1	820	550	809	1014	1,28	22,81	4,32	483,49	556,01	-
57659	57650	XH2L1	820	650	936	1171	1,27	27,37	5,07	556,35	639,80	-
57629	57620	XH2L1	1020	550	1006	1261	1,28	28,38	5,38	543,11	624,58	-
57669	57660	XH2L1	1020	650	1165	1457	1,27	34,05	6,30	615,97	708,37	-
57689	57680	XH2L1	1020	950	1630	2050	1,30	50,20	9,05	740,49	851,56	-
57639	57630	XH2L1	1220	550	1203	1508	1,28	33,94	6,43	602,72	693,13	-
57679	57670	XH2L1	1220	650	1393	1743	1,27	40,72	7,54	675,58	776,92	-
57699	57690	XH2L1	1220	950	1950	2452	1,30	60,05	10,82	793,49	912,51	-
57819	57810	XH2L1	1420	550	1400	1754	1,28	39,50	7,48	701,40	806,61	-
57829	57820	XH2L1	1420	650	1622	2029	1,27	47,40	8,78	786,59	904,58	-
57839	57830	XH2L1	1620	550	1597	2001	1,28	45,07	8,54	800,11	920,13	-
57849	57840	XH2L1	1620	650	1850	2314	1,27	54,08	10,01	897,16	1031,73	-



See correction factors, page 146.

Stock radiators
The colours M300, M301, M302, N502 and N503 are available in 3 weeks.

XH2L2

CE 06 in conformity with EN 442-1: radiators and convectors

Ref. nr. white	Ref. nr. colour	Type	Width L mm	Height H mm	Heat outputs 75/65/20°C Watt	Heat outputs 90/70/20°C Watt	n-exp.	Weight kg.	Water content l.	RAL 9016 €	Other colours €	M350 €
57709	57700	XH2L2	678	550	804	1009	1,29	20,50	3,40	529,86	609,34	-
57749	57740	XH2L2	678	650	941	1181	1,29	24,28	3,93	622,60	715,99	-
57719	57710	XH2L2	878	550	1041	1307	1,29	26,55	4,40	609,35	700,75	-
57759	57750	XH2L2	878	650	1219	1530	1,29	31,44	5,09	702,07	807,38	-
57729	57720	XH2L2	1078	550	1279	1606	1,29	32,60	5,40	688,83	792,16	-
57769	57760	XH2L2	1078	650	1496	1878	1,29	38,60	6,25	781,55	898,78	-
57789	57780	XH2L2	1078	950	2027	2549	1,30	57,90	9,00	925,94	1064,83	-
57739	57730	XH2L2	1278	550	1516	1903	1,29	38,65	6,40	768,31	883,56	-
57779	57770	XH2L2	1278	650	1774	2227	1,29	45,77	7,41	861,04	990,20	-
57799	57790	XH2L2	1278	950	2403	3022	1,30	68,64	10,67	1005,41	1156,22	-
57919	57910	XH2L2	1478	550	1753	2201	1,29	44,69	7,40	888,36	1021,61	-
57929	57920	XH2L2	1478	650	2051	2575	1,29	52,93	8,57	995,38	1144,69	-
57939	57930	XH2L2	1678	550	1990	2498	1,29	50,74	8,41	1008,46	1159,73	-
57949	57940	XH2L2	1678	650	2329	2924	1,29	60,09	9,73	1130,30	1299,85	-



See correction factors, page 146.

Stock radiators
The colours M300, M301, M302, N502 and N503 are available in 3 weeks.

Price in EURO (excl. VAT)

