



PRODUCTION

The VPN-line is electrically welded by robots. As a result the weld seams are invisible. The standard tube thickness is 1,5 mm with a service pressure of 4 bar (test pressure 6 bar). The maximum operating temperature is 110°C.

TUBES

Vertical, flat-oval (57,5 x 10 mm).

COLLECTORS

Horizontal, rear, round (Ø 35 mm).

VALVE SET (in option)

- THERMIC valve set (1mm8) with rear connection 2 x 3/4" outer thread with manual button and a cover plate with curved base.
- THERMIC designer valve set (1-8) with rear connection 2 x 1/2" inner thread including *luxury thermostatic head* (always delivered together !).

ATTENTION: VPN radiators are not available with the THERMIC designer valve set MM !

CONNECTION

- Stock radiators are standard delivered with universal connection 1mm8 (6 connections) (always with lateral cover), see also page 152 - 156.
- mm, 18, 81, 32, 23, 76, 67, 45, 54, 27, 72, 36, 63, 26, 62, 37, 73, see also page 152 - 156.
- mm only possible with an even number of tubes.
- All supplementary connections are charged **49,94 EURO**.
- One-pipe system is only possible in position 2 or 7, see page 151. Price supplement, see page 151.

Stock radiators (RAL 9016) and coloured stock sizes are available as standard with 1/2" universal connection (1mm8). Vertical non-stock radiators with an **even** number of tubes are available only on demand with 1/2" universal connection (mm) without extra charge.

Supply is standard on the right and return on the left. Reversion of supply and return is possible, see page 140.

LUXURY ACCESSORIES

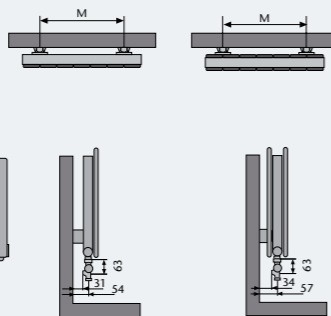
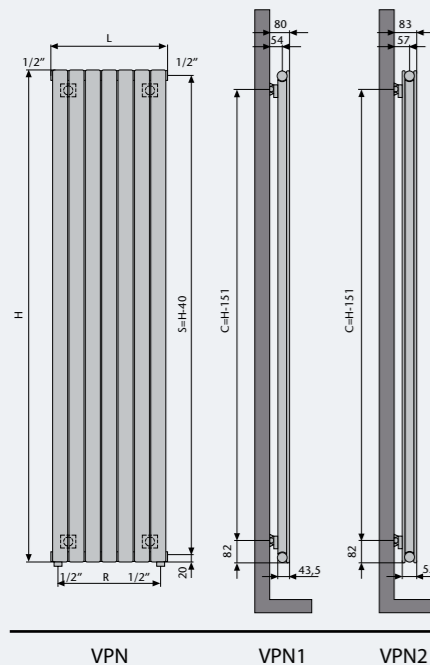
VPN radiators are available with several luxury accessories, see also page 135: towel rail, towel ring, drying and stacking rack and robe hook.

SPECIAL

Type VPN is available with a single (VPN1) or a double (VPN2) row of flat-oval tubes.

COLOURS

- Standard colour is RAL 9016 (Traffic white).
- Other available colours, see page 158 - 159.
- Measurements up to 2000 mm high are available in the colour M350 (stainless steel look). ATTENTION: M350: loss of heat output up to 24% !



VPN1 / VPN2 Valve set in option

	L	R	M
430	377	300	
490	437	360	
550	497	420	
610	557	480	
670	617	540	
730	677	600	
790	737	660	
850	797	700	
910	857	780	

H = 1400 to 2200 mm
 L = 430, 490, 550, 610, 670, 730, 790, 850, 910
 S = H - 40 mm
 C = H - 151 mm
 n = 7 to 15 tubes
 R = (n x 60) - 43

thermic
DESIGNER RADIATORS

thermic
DESIGNER RADIATORS

Reference nr.: 21100 / 21200 / 21120 / 21220 Connection Tubes 0000 Height Colour See page 4,5 and 6.

VPN1

n	L(mm)	H(mm)	1400	1600	1800	2000	2200	
7	430	75/65/20°C 90/70/20°C	588	670	752	834	916	
			741	845	949	1051	1152	
			price RAL 9016	236,16	258,27	280,39	302,51	324,63
			price RAL 9016 (+ lat. cover)	279,08	305,49	331,89	358,30	384,71
			price colour	271,58	297,01	322,45	347,89	373,33
price colour (+ lat. cover)	320,94	351,31	381,67	412,05	442,42			
8	490	75/65/20°C 90/70/20°C	671	765	860	954	1047	
			847	966	1085	1201	1317	
			price RAL 9016	264,44	289,72	314,99	340,27	365,55
			price RAL 9016 (+ lat. cover)	307,36	336,93	366,50*	396,07	425,64
			price colour	304,11	333,18	362,24	391,31	420,38
price colour (+ lat. cover)	353,46	387,47	421,48	455,48	489,49			
9	550	75/65/20°C 90/70/20°C	755	861	967	1073	1178	
			953	1087	1221	1352	1481	
			price RAL 9016	292,72	321,16	349,60	378,03	406,47
			price RAL 9016 (+ lat. cover)	335,64	368,37	401,10	433,83	466,56
			price colour	336,63	369,33	402,04	434,74	467,44
price colour (+ lat. cover)	385,99	423,63	461,27	498,91	536,54			
10	610	75/65/20°C 90/70/20°C	839	957	1075	1192	1309	
			1059	1207	1356	1502	1646	
			price RAL 9016	321,01	352,60	384,20	415,80	447,39
			price RAL 9016 (+ lat. cover)	363,93	399,81	435,70	471,59*	507,48
			price colour	369,16	405,49	441,83	478,17	514,50
price colour (+ lat. cover)	418,52	459,78	501,06	542,33	583,60			
11	670	75/65/20°C 90/70/20°C	923	1052	1182	1311	1440	
			1165	1328	1492	1652	1810	
			price RAL 9016	349,29	384,05	418,80	453,56	488,31
			price RAL 9016 (+ lat. cover)	392,21	431,26	470,30	509,35	548,40
			price colour	401,68	441,66	481,62	521,59	561,56
price colour (+ lat. cover)	451,04	495,95	540,85	585,75	630,66			
12	730	75/65/20°C 90/70/20°C	1007	1148	1290	1430	1570	
			1271	1449	1628	1802	1975	
			price RAL 9016	377,57	415,49	453,40	491,32	529,24
			price RAL 9016 (+ lat. cover)	420,49	462,70	504,91	547,12	589,32
			price colour	434,21	477,81	521,41	565,02	608,63
price colour (+ lat. cover)	483,56	532,11	580,65	629,19	677,72			
13	790	75/65/20°C 90/70/20°C	1091	1244	1397	1550	1701	
			1377	1570	1763	1952	2140	
			price RAL 9016	405,86	446,93	488,01	529,08	570,16
			price RAL 9016 (+ lat. cover)	448,77	494,14	539,51	584,88	630,24
			price colour	466,74	513,97	561,21	608,44	655,68
price colour (+ lat. cover)	516,09	568,26	620,44	672,61	724,78			
14	850	75/65/20°C 90/70/20°C	1175	1339	1505	1669	1832	
			1483	1690	1899	2102	2304	
			price RAL 9016	434,14	478,37	522,61	566,84	611,08
			price RAL 9016 (+ lat. cover)	477,06	525,59	574,11	622,64	671,17
			price colour	499,26	550,13	601,00	651,87	702,74
price colour (+ lat. cover)	548,62	604,43	660,23	716,04	771,85			
15	910	75/65/20°C 90/70/20°C	1259	1435	1612	1788	1963	
			1589	1811	2034	2253	2469	
			price RAL 9016	462,42	509,82	557,21	604,61	652,00
			price RAL 9016 (+ lat. cover)	505,34	557,03	608,71	660,40	712,09
			price colour	531,78	586,29	640,79	695,30	749,80
price colour (+ lat. cover)	581,14	640,59	700,02	759,46	818,90			
Weight, kg/element	2,01	2,27	2,52	2,78	3,00			
Water content, l/element	0,64	0,72	0,79	0,87	0,95			
n-exponent	1,32	1,32	1,32	1,31	1,30			

Stock radiators

Stock radiators always with lateral cover !

- Ref. nr.: VPN1: 21100
- VPN1 with lat. cover: 21200
- VPN2: 21120
- VPN2 with lat. cover: 21220

Price in EURO (excl. VAT)

VPN2

Ref. nr. stock	1400	1600	1800	2000	2200	Ref. nr. stock
	894	1022	1155	1291	1433	
	1130	1292	1462	1635	1812	
	486,20	531,74	577,28	622,81	668,35	
	529,12	578,95	628,78	678,61	728,44	
	559,13	611,50	663,87	716,23	768,60	
	608,49	665,79	723,10	780,40	837,71	
* 21208	1021	1168	1319	1476	1638	
	1291	1477	1671	1869	2071	
	544,43	596,48	648,52	700,56	752,60	
	587,35	643,69	700,02*	756,35**	812,69	* 21298
	626,10	685,95	745,80	805,64	865,49	** 21308
675,45	740,24	805,02	869,80	934,59		
* 21228	1149	1314	1484	1660	1843	
	1453	1661	1880	2103	2329	
	602,66	661,21	719,76	778,30	836,85	
	645,58	708,42	771,26	834,10	896,94	
	693,06	760,39	827,72	895,05	962,38	
742,42	814,68	886,95	959,22	1031,48		
* 21318	1277	1460	1649	1845	2047	
	1614	1846	2089	2336	2588	
	660,89	725,95	791,00	856,05	921,10	
	703,81	773,16	842,50	911,84*	981,19	* 21318
	760,02	834,84	909,65	984,46	1059,27	
809,38	889,13	968,88	1048,62	1128,37		
* 21328	1404	1606	1814	2029	2252	
	1775	2030	2298	2570	2847	
	719,12	790,68	862,24	933,80	1005,35	
	762,04	837,89	913,74	989,59	1065,44	
	826,99	909,28	991,58	1073,87	1156,15	
876,35	963,57	1050,80	1138,03	1225,26		
* 21328	1532	1752	1979	2214	2457	
	1937	2215	2507	2804	3106	
	777,35	855,42	933,48	1011,54	1089,60	
	820,27	902,63	984,98	1067,34*	1149,69	* 21328
	893,95	983,73	1073,50	1163,27	1253,04	
943,31	1038,03	1132,73	1227,44	1322,14		
* 21328	1660	1898	2144	2398	2661	
	2098	2400	2715	3037	3365	
	835,58	920,15	1004,72	1089,29	1173,85	
	878,50	967,36	1056,22	1145,08	1233,94	
	960,92	1058,17	1155,43	1252,68	1349,93	
1010,28	1112,46	1214,65	1316,84	1419,03		
* 21328	1787	2044	2309	2583	2866	
	2260	2584	2924	3271	3624	
	893,82	984,89	1075,96	1167,03	1258,10	
	936,73	1032,10	1127,46	1222,83	1318,19	
	1027,89	1132,62	1237,35	1342,09	1446,82	
1077,24	1186,92	1296,58	1406,26	1515,92		
* 21328	1915	2190	2474	2767	3071	
	2421	2769	3133	3504	3882	
	952,05	1049,62	1147,20	1244,78	1342,36	
	994,96	1096,83	1198,70	1300,57	1402,44	
	1094,86	1207,06	13			



PRODUCTION

The VPN-line is electrically welded by robots. As a result the weld seams are invisible. The standard tube thickness is 1,5 mm with a service pressure of 4 bar (test pressure 6 bar). The maximum operating temperature is 110°C.

TUBES

Vertical, flat-oval (57,5 x 10 mm).

COLLECTORS

Horizontal, rear, round (Ø 35 mm).

VALVE SET (in option)

- THERMIC valve set (1mm8) with rear connection 2 x 3/4" outer thread with manual button and a cover plate with curved base.
- THERMIC *designer valve set* (1-8) with rear connection 2 x 1/2" inner thread including *luxury thermostatic head* (always delivered together !).

ATTENTION: VPN radiators are not available with the THERMIC designer valve set MM !

CONNECTION

- Stock radiators are standard delivered with universal connection 1mm8 (6 connections) (always with lateral cover), see also page 152 - 156.
- mm, 18, 81, 32, 23, 76, 67, 45, 54, 27, 72, 36, 63, 26, 62, 37, 73, see also page 152 - 156.
- mm only possible with an even number of tubes.
- All supplementary connections are charged **49,94 EURO**.
- One-pipe system is only possible in position 2 or 7, see page 151. Price supplement, see page 151.

Stock radiators (RAL 9016) and coloured stock sizes are available as standard with 1/2" universal connection (1mm8). Vertical non-stock radiators with an **even** number of tubes are available only on demand with 1/2" universal connection (mm) without extra charge.

Supply is standard on the right and return on the left. Reversion of supply and return is possible, see page 140.

LUXURY ACCESSORIES

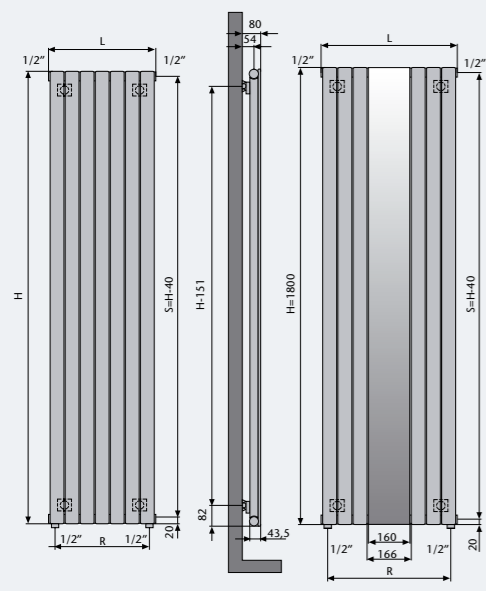
VPN radiators are available with several luxury accessories, see also page 135: towel rail, towel ring, drying and stacking rack and robe hook.

SPECIAL

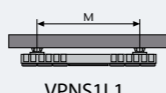
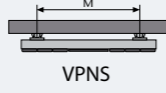
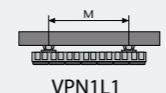
- As to type VPN1L1, steel fins are welded on the back of the flat-oval tubes in order to increase the heat output.
- Type VPNS is standard delivered with an integrated mirror (width 160 mm).
- Type VPN1L1 and VPNS are standard delivered with a steel lateral cover.

COLOURS

- Standard colour is RAL 9016 (Traffic white).
- Other available colours, see page 158 - 159.
- Measurements up to 2000 mm high are available in the colour M350 (stainless steel look). ATTENTION: M350: loss of heat output up to 24%!



VPNS	L	R	M
6 tubes	534	481	404
8 tubes	654	601	524



L	R	M
430	377	300
490	437	360
550	497	420
610	557	480
670	617	540
730	677	600
790	737	660
850	797	700
910	857	780

H = 1400 to 2200 mm
 L = 430, 490, 550, 610, 670, 730, 790, 850, 910
 S = H - 40 mm
 C = H - 151 mm
 n = 7 to 15 tubes
 R = (n x 60) - 43

VPN1L1

VPNS

VPN1L1
Valve set in option

thermic
DESIGNER RADIATORS

thermic
DESIGNER RADIATORS

Reference nr.: 21110 Connection Tubes 0000 Height Colour See page 4,5 and 6.

VPN1L1

Ref. nr.: VPN1L1: 21110

CE 05 in conformity with EN 442-1: radiators and convectors

n	L(mm)	H(mm)	1400	1600	1800	2000	2200	Ref. nr. stock
7	430	75/65/20°C	799	901	1002	1100	1197	
		90/70/20°C	1014	1144	1276	1401	1522	
		price RAL 9016 (+ lat. cover)	287,37	317,90	348,43	378,96	409,49	
			330,48	365,59	400,70	435,80	470,91	
8	490	75/65/20°C	913	1030	1145	1258	1369	* 21238
		90/70/20°C	1158	1308	1458	1602	1739	
		price RAL 9016 (+ lat. cover)	323,74	358,63	393,52 *	428,41 **	463,31	
			372,30	412,43	452,55	492,67	532,81	** 21248
9	550	75/65/20°C	1027	1159	1288	1415	1540	
		90/70/20°C	1303	1471	1640	1802	1957	
		price RAL 9016 (+ lat. cover)	360,11	399,37	438,62	477,87	517,12	
			414,13	459,28	504,41	549,55	594,69	
10	610	75/65/20°C	1141	1287	1431	1572	1711	* 21258
		90/70/20°C	1448	1635	1823	2002	2174	
		price RAL 9016 (+ lat. cover)	396,49	440,10	483,72	527,33 *	570,94	
			455,96	506,12	556,28	606,43	656,58	
11	670	75/65/20°C	1255	1416	1574	1729	1882	
		90/70/20°C	1593	1798	2005	2202	2392	
		price RAL 9016 (+ lat. cover)	432,86	480,84	528,81	576,79	624,76	
			497,79	552,97	608,13	663,31	718,47	
12	730	75/65/20°C	1370	1545	1718	1886	2053	
		90/70/20°C	1738	1962	2187	2403	2609	
		price RAL 9016 (+ lat. cover)	469,24	521,57	573,91	626,25	678,58	
			539,63	599,81	660,00	720,19	780,37	
13	790	75/65/20°C	1484	1673	1861	2044	2224	
		90/70/20°C	1882	2125	2369	2603	2826	
		price RAL 9016 (+ lat. cover)	505,61	562,31	619,00	675,70	732,40	
			581,45	646,66	711,85	777,06	842,26	
14	850	75/65/20°C	1598	1802	2004	2201	2395	
		90/70/20°C	2027	2289	2552	2803	3044	
		price RAL 9016 (+ lat. cover)	541,98	603,04	664,10	725,16	786,22	
			623,28	693,50	763,72	833,93	904,15	
15	910	75/65/20°C	1712	1931	2147	2358	2566	
		90/70/20°C	2172	2452	2734	3003	3261	
		price RAL 9016 (+ lat. cover)	578,36	643,78	709,20	774,62	840,04	
			665,11	740,35	815,58	890,81	966,05	
		Weight, kg/element	3,42	3,94	4,46	4,99	5,52	
		Water content, l/element	0,61	0,69	0,76	0,84	0,91	
		n-exponent	1,34	1,36	1,37	1,37	1,36	

Standard with lateral cover !

= Stock radiators



See correction factors, page 146.

Reference nr. Connection Tubes Width Height Colour See page 4,5 and 6.

VPNS

CE 05 in conformity with EN 442-1: radiators and convectors

Ref. nr. white	Ref. nr. colour	Tubes	Width L mm	Height H mm	Heat outputs 75/65/20°C Watt	Heat outputs 90/70/20°C Watt	n-exp.	Weight kg.	Water content l.	RAL 9016 €	Other colours €	M350 €
01839	01830	6	534	1800	645	814	1,32	22,70	4,70	526,65	605,65	710,98
01849	01840	8	654	1800	860	1085	1,32	27,70	6,30	595,83	685,21	804,37

Standard with lateral cover !

ATTENTION: M350 (stainless steel look): loss of heat output up to 24% !



See correction factors, page 146.

VPNS1L1

CE 05 in conformity with EN 442-1: radiators and convectors

Ref. nr. white	Ref. nr. colour	Tubes	Width L mm	Height H mm	Heat outputs 75/65/20°C Watt	Heat outputs 90/70/20°C Watt	n-exp.	Weight kg.	Water content l.	RAL 9016 €	Other colours €	M350 €
01859	01850	6	534	1800	859	1094	1,37	28,20	4,10	562,78	647,20	759,75
01868	01860	8	654	1800	1145	1458	1,37	35,10	5,50	653,03	750,99	881,59

Standard with lateral cover !

= Stock radiators

ATTENTION: M350 (stainless steel look): loss of heat output up to 24% !



See correction factors, page 146.

Price in EURO (excl. VAT)



Round collectors valve set with cover plate* Designer valve set 1-8

* ATTENTION: Thermostatic head not supplied by THERMIC.